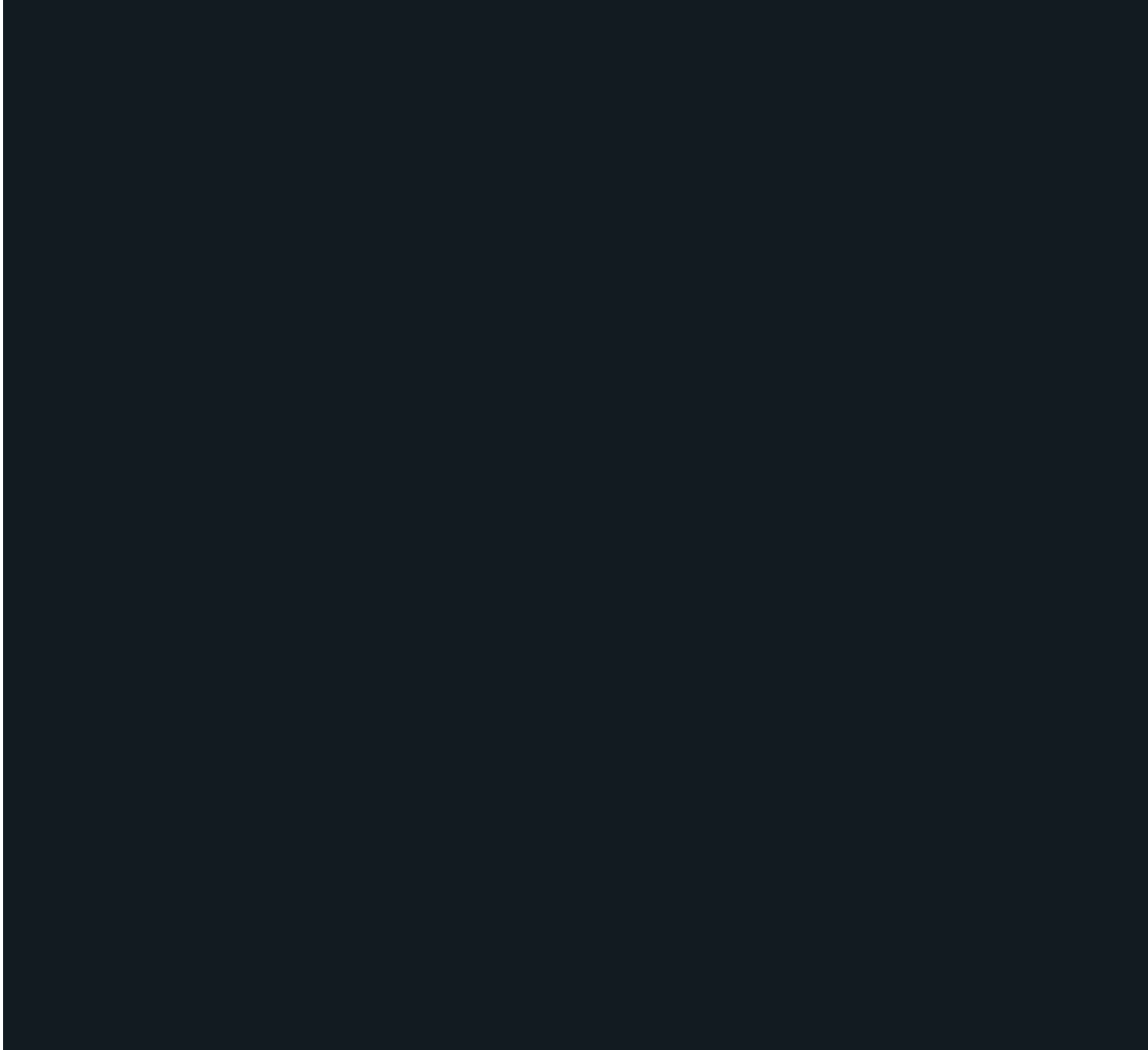


Mitas
Generators



INDEX

profile p.2-3

junior series p.4-5

alfa series p.6-7

jumbo series p.8-9

elite series p.10-12

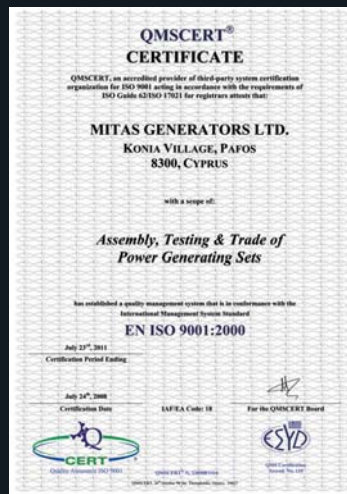
control panels p.13

OUR PROFILE

MITAS GENERATORS LTD was founded in 1998 embarking on a unique endeavor of becoming the sole dedicated manufacturer of Power Generators in the country of Cyprus. Moving ahead with the aim of expanding its business even further, the company began exporting generating sets in 2002 and has since been active in this field with exports to Africa, Europe and the Middle East.

Opting for the challenging avenue of focusing on the production of generating sets of high quality, versus compromising quality for cost, we have managed to build a strong reputation among our clients over the years, for the reliability of our range of generators. This commitment to ensuring the quality of our products has also been recently verified with the ISO 9001 certification.

Looking ahead to the future, MITAS GENERATORS LTD aims to become not only the dominant supplier of generating sets in Cyprus, but also one of the main suppliers of Power Generators in the region, utilizing our knowledge, experience, and the continuous development and upgrading of our production range.





OUR FACILITIES

In line with our vision of establishing ourselves as one of the quality manufacturers of Power Generators in the region, as well as our continuous investment in research and development, we have begun our further expansion with the construction of a brand new manufacturing facility with a covered area of over 6000 square meters. Fully equipped with CNC machines, will have the capacity and ability to satisfy the strictest requirements, maintaining our everlasting quality and increasing the efficiency of our production process.

THE JUNIOR SERIES

A series of petrol-fuelled generating sets ranging from 4kVA to 8kVA, powered by KOHLER engines. Lightweight, powerful, compact and silent, they are easy to transport and designed to meet the usage requirements in areas such as construction, military, agriculture and others.

Standard Equipment:

- Electric Battery start for "E" version
- Frame with anti-vibration dampers
- Dry air filter
- Exhaust silencer with protection
- Voltmeter
- Oil alert device
- Two 16A sockets with circuit breaker

Optional Accessories:

- Earth leakage circuit breaker
- Wheels and handles for transport

POWERED BY:

KOHLER®



MOD. G 8000 KME

TECHNICAL SPECIFICATIONS

Single-phase, 3000 RPM:

Model	Continuous Power kVA		Standby Power kVA		Engine Type	Skid Version			
	50Hz	60Hz	50Hz	60Hz		Dimensions (L / W / H) cm			Weight (Kg)
G2800KAM	2.4	3.3	2.6	3.7	SH265	75	50	53	45
G4000KAM/KME	3.4	3.9	3.8	4.2	CH270	80	55	58	47/50
G5000KAM/KME	4.8	5.5	5.2	6	CH395	80	55	58	70/74
G7000KAM/KME	7.1	8	7.8	8.75	CH440	80	55	58	87/93

Three-phase, 3000 RPM:

Model	Continuous Power kVA		Standby Power kVA		Engine Type	Skid Version			
	50Hz	60Hz	50Hz	60Hz		Dimensions (L / W / H) cm			Weight (Kg)
G4000KAT/KTE	3.4	3.9	3.8	4.2	CH270	80	55	58	47/50
G5000KAT/KTE	4.8	5.5	5.2	6	CH395	80	55	58	70/74
G7000KAT/KTE	7.1	8	7.8	8.75	CH440	80	55	58	87/93

MITAS GENERATORS LTD has always been a pioneer in product improvement. Thus, all specifications published in this brochure are subject to change without notice.

THE ALFA SERIES

A series of silenced diesel, air-cooled, 2-pole generating sets ranging from 5kVA to 10kVA, powered by Lombardini engines. Strong and compact, they compose a versatile range of generators that can be operated to satisfy various requirements, used for continuous service or as a mobile unit. Automatic Control Panels can optionally be fitted.

POWERED BY:



Standard Equipment:

- Electric Battery Start
- Frame with anti-vibration dampers
- Exhaust silencer
- Dry air filter
- Manual Control Panel on set

Optional Accessories:

- Automatic Control Panel (AMF & ATS)
- Tow trailer or Revolving wheels
- Manual Remote control panel
- Earth leakage circuit breaker



TECHNICAL SPECIFICATIONS

Single-phase, 1500 RPM:

Model	Continuous Power kVA		Standby Power kVA		Engine Type	Skid Version			
	50Hz	60Hz	50Hz	60Hz		Dimensions (L / W / H) cm			Weight (Kg)
G2800LAM	2.6	2.8	2.7	2.9	15LD225	75	50	53	60
G5610LAM/LME	5	5.3	5.5	6.05	15LD350	80	55	58	67/70
G6000LME	6	6.5	6.9	6.3	15LD440	80	55	58	98
G7000LME	7	7.2	7.9	8.9	15LD500	80	55	58	100
G11600LME	10	11.2	11.5	12.9	25LD330-2	110	68	80	200

Three-phase, 1500 RPM:

Model	Continuous Power kVA		Standby Power kVA		Engine Type	Skid Version			
	50Hz	60Hz	50Hz	60Hz		Dimensions (L / W / H) cm			Weight (Kg)
G5610LAT/LTE	5	5.3	5.5	6.05	15LD350	80	55	58	68/71
G6000LTE	6	6.5	6.9	6.3	15LD440	80	55	58	98
G7000LTE	7	7.2	7.9	8.9	15LD500	80	55	58	100
G11600LTE	10	11.2	11.5	12.9	25LD330-2	110	68	80	200

MITAS GENERATORS LTD has always been a pioneer in product improvement. Thus, all specifications published in this brochure are subject to change without notice.

THE JUMBO SERIES

A series of diesel, 4-pole generating sets operating ranging from 10kVA to 20kVA, powered by Lombardini engines. Characterized by high reliability and low noise, they are suitable for heavy-duty operation and continuous service, and can be fitted with Automatic or Manual Control Panels. Soundproof versions with high quality galvanized steel soundproof canopies are available for all models, making them ideal for applications in residential areas as well.

Standard Equipment:

- Electric Battery start for "E" version
- Frame with anti-vibration dampers
- Industrial Silencer (skid version)
/ Residential Silencer (Soundproof version)
- Air Filter

Manual Control Panel on set equipped with:

- Voltmeter
- Ammeter
- Hour meter
- Key-start switch
- Indicator for low oil pressure
- Indicator for high water temperature
- Indicator for low fuel level
- Battery charger
- Circuit Breaker
- Sockets or terminal board power cable connections

Optional Accessories:

- Automatic Control Panel (AMF & ATS)
- Tow trailer with draw bar
- Manual remote control panel
- Engine heater
- Earth leakage circuit breaker



POWERED BY:



TECHNICAL SPECIFICATIONS

Three-phase, 1500 RPM:

Model	Continuous Power kVA		Standby Power kVA		Engine Type	Skid Version			Soundproof Version (GQ)				
	50Hz	60Hz	50Hz	60Hz		Dimensions (L / W / H) cm	Weight (Kg)	Dimensions (L / W / H) cm	Weight (Kg)				
Air Cooled													
G(Q)11L	10.4		11.4		9 LD 625-2	127	80	90	300	150	83	110	400
Water Cooled													
G(Q)9L	8.1	9.7	9	10.6	LDW1003 FOCs	127	80	90	270	150	83	135	380
G(Q)17L	15.1	18	16.7	19.9	LDW1603 CHD	140	80	115	370	180	90	125	560
G(Q)22L	20.0	22	21.0	24.2	LDW2204 CHD	150	80	115	400	180	90	125	590
G(Q)28L	25.4	30.7	28.0	33.9	LDW2204/T CHD	150	80	115	400	180	90	125	590

MITAS GENERATORS LTD has always been a pioneer in product improvement. Thus, all specifications published in this brochure are subject to change without notice.

THE ELITE SERIES

A series of generating sets ranging from 9kVA to 2000kVA at 50/60Hz operation, powered by the most reliable engines such as Perkins and Cummins. Designed and built according to high quality standards and able to meet the increased demands of heavy-duty applications, they are equipped with brushless alternators with AVR able to give a precision of $\pm 1\%$. Built with a steel baseframe incorporating a fuel tank, and flexible for any chosen operational setup for standby and continuous use. Automatic Control Panels, Synchronization Panels, trailers and other options can be offered according to user requirements. Soundproof versions of all models are available, with canopies of galvanized steel and fire-proof soundproofing materials, with a seamless design, and with internal mounting of the exhaust silencer.

Standard Equipment:

- Steel baseframe with integrated fuel tank
- Anti-vibration dampers
- Industrial silencer (skid version) / Residential silencer (soundproof version)
- Battery
- Engine liquids
- Galvanized steel soundproof canopy

Optional Accessories:

Digital Control Panel equipped with:

- Key-start switch
- Circuit breaker
- Emergency stop button
- Hour counter
- Oil pressure gauge
- Water and oil temperature meter
- Voltage and current meter
- Frequency meter
- Fuel Level Indicator
- Signalling or shutdown in case of:
 - Low oil pressure
 - High temperature
 - Low fuel level
 - Low coolant level
 - Alternator belt failure
 - Overload
 - High/low frequency
 - High/low voltage (generator and battery)



POWERED BY:



TECHNICAL SPECIFICATIONS

Model	Continuous Power kVA		Standby Power KVA		Engine Type	Skid Version			Soundproof Version				
	50Hz	60Hz	50Hz	60Hz		Dimensions (L / W / H) cm	Weight (Kg)	Dimensions (L / W / H) cm	Weight (Kg)				
G(Q)11P	9	11	10	12	403D-11G	150	80	110	290	180	90	125	560
G(Q)16P	13	15.8	14.5	17.5	403D-15G	150	80	110	350	180	90	125	620
G(Q)22P	20	24	22.1	26.6	404D-22G	165	80	120	460	180	90	125	730
G(Q)35P	30	35	33	38	1103A-33G	180	90	130	680	220	90	136	1100
G(Q)50P	45	-	51.3	-	1103A-33TG1	180	90	130	720	220	90	136	1150
G(Q)70P	60	68	66	75	1103A-33TG2	180	90	130	810	220	90	136	1230
G(Q)90P	80	91	88	100.3	1104A-44TG2	200	90	130	910	270	110	175	1570
G(Q)115P	100	114	111.9	126.5	1104C-44TAG2	215	100	130	1050	270	110	175	1700
G(Q)150P	135	151	150	165.5	1006TAG	255	100	140	1230	320	110	175	1990
G(Q)170P	150	-	165	-	1006TAG2	255	100	160	1240	320	110	175	2000
G(Q)200P	180	200	200	219	1106C-E66TAG4	225	110	170	1480	350	130	190	2400
G(Q)220P	200	231	229	253	1306C-E87TAG3	275	110	170	1680	350	130	190	2600
G(Q)275P	250	-	275	-	1306C-E87TAG6	275	110	170	1730	350	130	190	2650
G(Q)300P	275	313	300	344	1606A-E93TAG4	285	130	170	1760	350	130	190	2670
G(Q)330P	300	-	330	-	1606A-E93TAG5	285	130	170	1790	350	130	190	2700
G(Q)400P	350	400	400	438	2206C-E13TAG2	320	130	195	2770	440	160	220	3950
G(Q)451P	400	438	450	500	2206C-E13TAG3	335	130	195	2910	440	160	220	4070
G(Q)501P	450	500	500	563	2506A-E15TAG1	345	135	205	3010	440	160	220	4150
G(Q)551P	500	500	550	563	2506A-E15TAG2	350	135	205	3060	440	160	220	4200
G(Q)600P	600	625	625	687	2806A-E18TAG1A	350	175	220	3800	490	220	250	4920
G(Q)700P	650	-	700	687	2806A-E18TAG2	365	175	220	4060	490	220	250	5600
G(Q)800P	730	750	800	844	4006-23TAG2A	400	195	230	4800	633	230	270	6800
G(Q)900P	800	844	900	938	4006-23TAG3A	400	195	230	4800	633	230	270	6800
G(Q)1100P	1000	-	1093	-	4008TAG2A	450	210	250	8200	ISO 40'	-	-	10200
G(Q)1375P	1250	1240	1385	1371	4012-46TWG2A	520	230	270	8500	ISO 40' HC	-	-	11000
G(Q)1650P	1500	-	1656	-	4012-46TAG2A	520	250	310	9600	ISO 40' HC	-	-	12100
G(Q)2200P	2000	-	2263	-	4016-TAG2A	580	300	310	12500	ISO 40' + external water plant	-	-	16000

MITAS GENERATORS LTD has always been a pioneer in product improvement. Thus, all specifications published in this brochure are subject to change without notice.

TECHNICAL SPECIFICATIONS

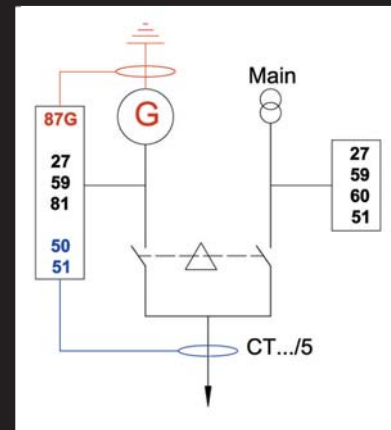


Model	Continuous Power kVA		Standby Power KVA		Engine Type	Skid Version		Soundproof Version			
	50Hz	60Hz	50Hz	60Hz		Dimensions (L / W / H) cm	Weight (Kg)	Dimensions (L / W / H) cm	Weight (Kg)		
G(Q)25C		19.2		21.1	X2.5G4	187 90 120	650	220 90 136	1200		
G(Q)28C	25		27.5		X2.5G2	187 90 120	460	220 90 136	870		
G(Q)35C	35		38		X3.3G1	187 90 120	580	220 90 136	1000		
G(Q)43C		38.4		42.2	X3.3G2	187 90 120	610	220 90 136	1150		
G(Q)44C	40		44		S3.8G4	187 90 120	790	220 90 136	1210		
G(Q)55C	50		55		S3.8G6	187 90 120	795	220 90 136	1120		
G(Q)66C	60		66		S3.8G7	210 110 140	890	270 110 175	1540		
G(Q)110C	100		110		6BTA5.9G5	237 110 160	1420	320 110 170	2170		
G(Q)115C		114		125	QSB5-G5	253 110 150	1450	320 110 170	2200		
G(Q)138C	125		138		6BTAA5.9G3	247 119 160	1470	320 110 170	2220		
G(Q)175C	150	170	175	188	QSB7G3	253 110 150	1770	320 110 170	2550		
G(Q)176C	160		176		6BTAA5.9G5	248 125 160	1770	320 110 170	2560		
G(Q)200C	180	200	200	220	QSB7G4	253 110 150	1870	320 110 170	2770		
G(Q)220C	200	225	220	250	QSB7G5	267 110 150	2220	320 110 170	3100		
G(Q)275C	250	284	275	313	QSL9G3	284 100 150	2290	350 130 190	3360		
G(Q)330C	300	344	330	375	QSL9G5	279 100 150	2610	350 130 190	3890		
G(Q)385C	350		385		NAT855G4	302 100 170	3000	350 130 190	4300		
G(Q)500C	450	513	500	563	QSX15G6/G7	338 130 180	3900	633 230 220	4680		
G(Q)550C	500	563	550	625	QSX15G8/G9	338 130 180	4100	633 230 220	4950		
G(Q)700C	636	681	700	750	VTA28G5	396 167 230	5100	920 243 270	6320		
G(Q)880C	800	909	880	1000	QSK23G3	418 188 230	5300	820 243 270	6780		
G(Q)1000C	910	1029	1000	1125	QST30G3	423 167 210	5840	633 230 270	7810		
G(Q)1100C	1000	1138	1100	1250	QST30G4	433 222 234	6035	633 230 270	8000		
G(Q)1400C	1275	1418	1400	1610	KTA50G3	486 222 210	9050	633 230 270	11600		
G(Q)1650C	1400		1675		KTA50G8	573 222 290	10100	920 243 299	15600		

MITAS GENERATORS LTD has always been a pioneer in product improvement. Thus, all specifications published in this brochure are subject to change without notice.

AUTOMATIC CONTROL PANELS

- Automatic control panel for standby gensets.
- From 15 kVA to 3.000 kVA.
- Digital instrumentation.
- Total control on motor and generator, direct command for MAINS/GENSET changeover
- Complete generator warranty in event of electronics failure, thanks to a manual hardware command
- Remote control
- Remote signals
- CANBUS SAE J1939 protocol
- RS232/485 MODBUS protocol
- Automatic battery charger
- Mains/3-phases generator control
- Earth fault protection
- Motor protections
- Generator protections
- 1 or 3-phase programmable
- Total efficacy of generator guarantee





26, ELLADOS AVENUE, P.O.Box 62397, 8063 PAPHOS, CYPRUS. **TEL/FAX:** 00357-26932247/26954575
Website: www.mitasgenerators.com, **E-mail:** mitas@mitasgenerators.com